

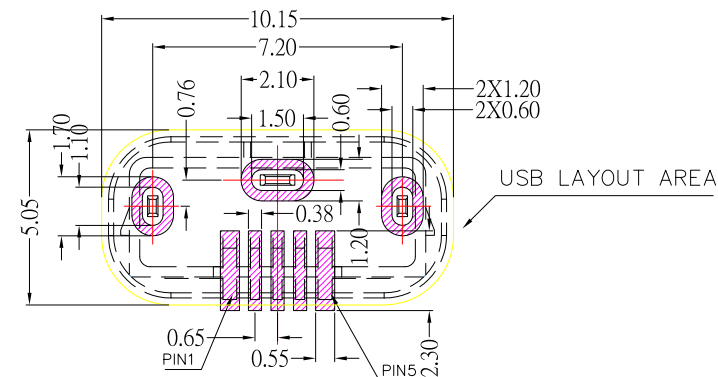
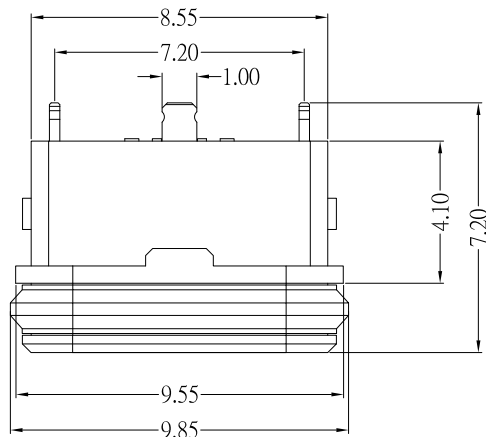
# IPX7



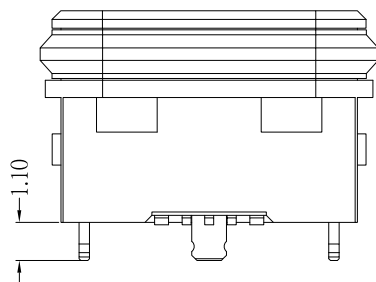
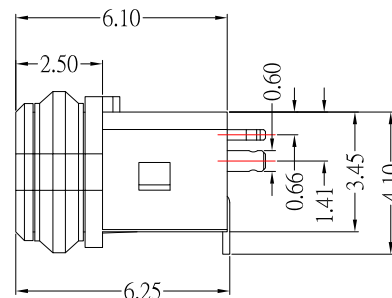
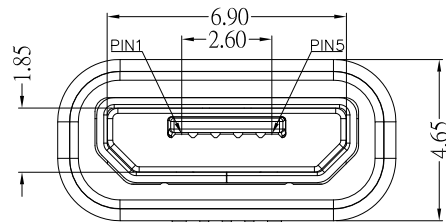
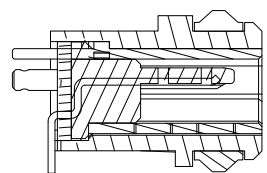
MRUSB-5B-WP21V-x-S347

鍍層厚度 :

Blank	: 1u"
2	: 15u"
3	: 30u"



P.C.B LAYOUT



NOTES:

MATERIAL:

- 1.1 HOUSING: LCP
- 1.2 CONTACT: PHOSPHOR BRONZE
- 1.3 SHELL: SUS

FINISH:

- 2.1 CONTACT: PLATED GOLD IN MATING AREA ;  
GOLD PLATED ON SOLDER BALLS ;  
NICKEL UNDER PLATED OVERALL
- 2.2 SHELL: TIN UNDER PLATED SURFACE LAYER

3.SPECIFICATION:

- 3.1 RATING: 2.0 A(PIN1,5) ; 1.0A( PIN2,3,4) , 30VAC
- 3.2 DIELECTRIC WITHSSTANDING VOLTAGE: 100 VAC
- 3.3 CONTACT RESISTANCE: 30 mΩ MAX.
- 3.4 INSULATION RESISTANCE: 100 MΩ MIN.

東莞市高迪電子有限公司  
DONG GUAN GAO DI ELECTRONICS CO., LTD

TOLERANCE UNLESS OTHERWISE STATED:

Up to 5	±0.2
Above 5 ~ 15	±0.3
Above 15 ~ 30	±0.4
Above 30 ~ 50	±0.5
Angle	±0.3°

3RD. ANGEL'S



UNITS

MM

DRAWN BY:	DATE
Jack Lu	11/30/23
CHECKED BY:	DATE
Jacky Chen	11/30/23
APPROVED BY:	DATE
Tony Kao	11/30/23

MAT'L		TITLE	CONNECTOR
FINISH		MODLE	MICRO USB 5PF B TYPE 直立式 防水型 H6.25
SCALE	1 : 1	DWG NO.	MRUSB-5B-WP21V-x-S347
SHEET NO.	1 of 2	PART NO.	MRUSB-5B-WP21V-x-S347
		SIZE	A4
		VER	R

ITEM NO.	DESCRIPTION	DRAWN	DATE